

## TABLE OF CONTENTS

|  |    |
|--|----|
| 1. General Description .....                             | 2  |
| 2. Main Features.....                                    | 2  |
| 3. System Block Diagram .....                            | 3  |
| 4. Package and Pin Description.....                      | 4  |
| 5. Function Description .....                            | 5  |
| 5.1 Output mode and option pin.....                      | 5  |
| 5.2 Maximum output time of key .....                     | 5  |
| 5.3 Low power mode .....                                 | 5  |
| 5.4 Sensitivity adjustment.....                          | 5  |
| 6. Application Circuit .....                             | 6  |
| 7. Electrical Characteristics .....                      | 7  |
| 7.1 limit parameters of electrical characteristics ..... | 7  |
| 7.2 DC characteristics .....                             | 7  |
| 8. Package Outline.....                                  | 8  |
| 8.1 SOT23-6 Package .....                                | 8  |
| 8.2 DFN2x2-6L Package .....                              | 9  |
| 8.3 DFN2x2-6L Taping Information.....                    | 10 |
| 8.4 DFN1x1-4L Package .....                              | 11 |
| 8.5 DFN1x1-4L Taping Information.....                    | 12 |
| 9. History .....   | 12 |

# Single Touch Single output Touch IC

Document: PT-DS21007

## 1. General Description

PT2041A is a single channel touch control ASIC, which built-in LDO circuit to provide a stable voltage for the touch sensing circuit. At the same time, the chip has high efficient touch detection algorithm, supply a stable touch detection effect. The chip is designed to replace the traditional keys, with advantages of wide operating voltage and low power consumption, and it has been widely studied and applied.

## 2. Main Features

- Power supply range: 2.4~5.5V
- Working temperature range: -40~85°C
- Good anti-interference performance, e.g., built in LDO circuit, power on reset, low-voltage reset function, environment adaptive algorithm
- Standby current: 2uA@V<sub>DD</sub>=3V/no load
- The longest response time of key: about 200ms@V<sub>DD</sub>=3V in low power consumption mode
- External capacitance(1~50pF) can be connected to adjust the touch sensitivity.
- Output mode selection (TOG): synchronous output or toggle output
- CMOS output (QC) effective level selection(AHLB): Active High/Low.
- Maximum output time of key: 16 seconds (± 30%)
- The initialization time of power on is about 0.4 seconds. During this period, do not touch the detection point, and all functions are prohibited currently.
- HBM ESD > 4KV
- Package Types: SOT23-6、DFN2\*2-6L、DFN1\*1-4L
- It can not be used in application scenarios where the resistance and capacitance are reduced and the power ripple is too large. Applicable only to battery-powered applications with less ripple power supply. PT2022T6 is a good choice for applications with high anti-jamming capability.

### 3. System Block Diagram

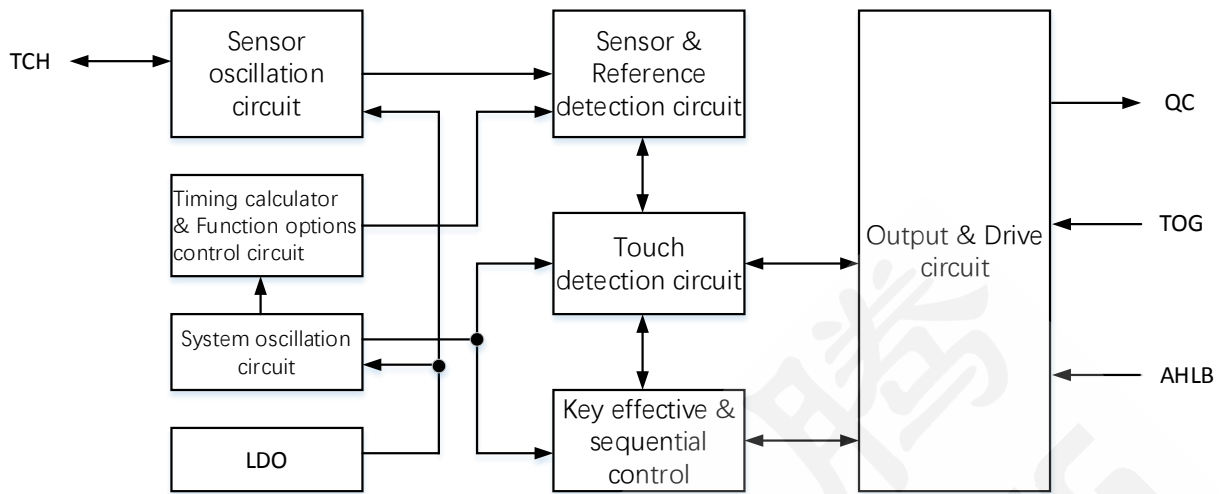


Figure1 System block diagram

#### 4. Package and Pin Description

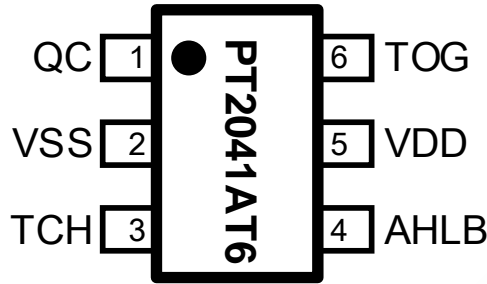


Figure2 SOT23-6 package

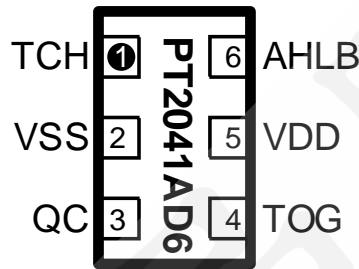


Figure3 DFN2x2-6L package

Note: Pin layout and SOT23-6 reverse

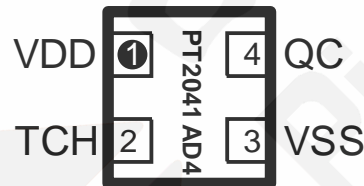


Figure4 DFN1x1-4L package

Note: Fixed to synchronous output mode, output high level effective

Table1 pin description

| NO.     |           |           | Pin name | I/O  | Description   |
|---------|-----------|-----------|----------|------|---|
| SOT23-6 | DFN2x2-6L | DFN1x1-4L |          |      |   |
| 1       | 3         | 4         | QC       | O    | Output Pin, CMOS output   |
| 2       | 2         | 3         | VSS      | P    | Negative power supply   |
| 3       | 1         | 2         | TCH      | I    | Touch input pad   |
| 4       | 6         | /         | AHLB     | I-PL | Output level selection:<br>0: High level active(default)<br>1: Low level active |
| 5       | 5         | 1         | VDD      | P    | Positive power supply   |
| 6       | 4         | /         | TOG      | I-PL | output mode select:<br>0: Synchronous output(default)<br>1: Toggle output       |

Pin types:

I: CMOS input      O: CMOS output

I/O: CMOS input/output

P: Power/ground

I-PH: CMOS Input built-in pull-up resistor

I-PL: CMOS Input built-in pull-down resistor

## 5. Function Description

### 5.1 Output mode and option pin

The pins of AHLB and TOG are latch type: the default state of power on is 0. If the pins are connected to VDD before power on, the state will change to 1 after power on, and there will be no current leakage.

TOG pin: select synchronous output or toggle output.

AHLB pin: select CMOS output high level valid or low level valid.

QC pin (CMOS output) option features:

| TOG | AHLB | Port QC option features                  |
|-----|------|--|
| 0   | 0    | Synchronous mode, CMOS high level active |
| 0   | 1    | Synchronous mode, CMOS low level active  |
| 1   | 0    | Toggle output, power on state = 0        |
| 1   | 1    | Toggle output, power on state = 1        |

### 5.2 Maximum output time of key

If there is an object covering the touch pad or the environment changes suddenly, the touch detection may continue to be effective. When the IC internal touch algorithm detects that the output effective duration reaches the set value of 16S ( $\pm 30\%$ ), the system will return to the initial power on state, and the output becomes invalid.

### 5.3 Low power mode

PT2041A runs in low power consumption mode, which can save power consumption. In this mode, when the key touch is detected, it will switch to fast mode until the key touch is released, and maintain fast mode for about 10 seconds, and then return to low power consumption mode.

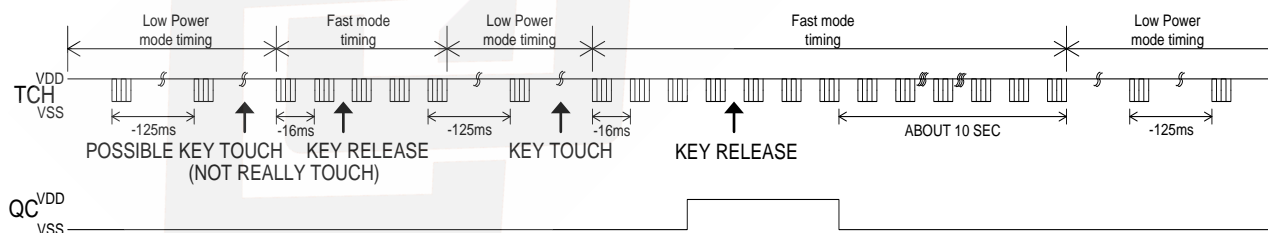


Figure 5 Time Series Diagram

### 5.4 Sensitivity adjustment

The equivalent capacitance on the IC touch pin will affect the sensitivity. The sensitivity adjustment must conform to the practical application of PCB. Here are some methods to adjust the sensitivity:

1) Adjust the size of the touch pad:

When other conditions remain unchanged, using a larger size of the touch pad can increase the sensitivity, otherwise it will reduce the sensitivity; but the size of the touch pad must be within the effective range.

2) Adjust the thickness of the media panel:

When other conditions remain unchanged, the use of thinner media can increase the sensitivity, otherwise it will decrease the sensitivity.

### 3) Adjust $C_S$ capacitance value

When other conditions remain unchanged, the sensitivity is the highest when there is no grounded  $C_S$  capacitance on the touch pad, otherwise, the higher the  $C_S$  capacitance is, the lower the sensitivity will be. The available range of  $C_S$  capacitance is: ( $1 \leq C_S \leq 50\text{pF}$ ).

## 6. Application Circuit

$C_m$  reserves capacitance for PT2022T6 and can be directly replaced with PT2022T6 if anti-jamming capability is not satisfied.

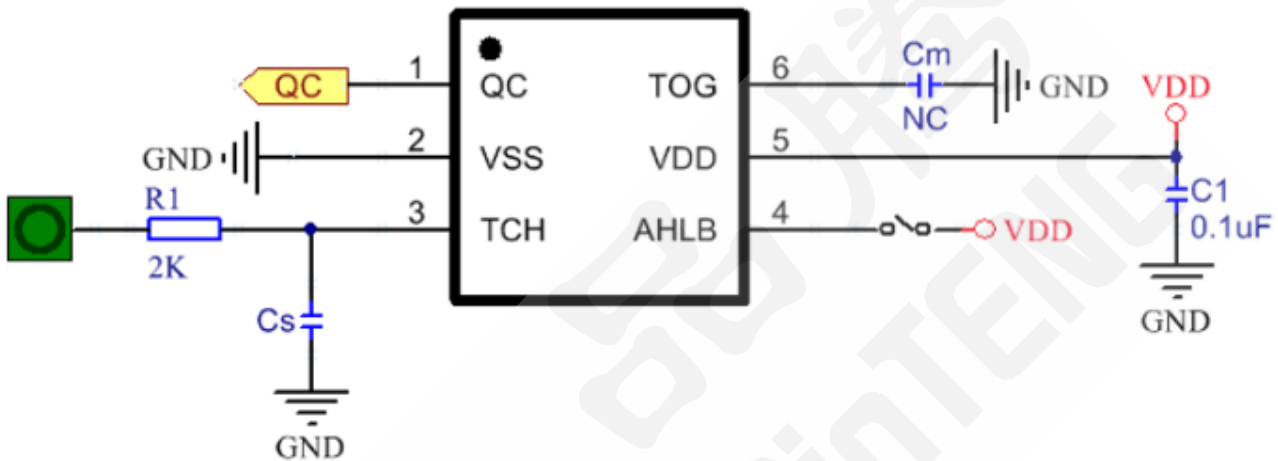


Figure 6 Standard application circuit

### Special Notes:

- 1) On PCB, the shorter the line from touch pad to TCH pin is, the better. The touch line should not be parallel or cross with other lines.
- 2) The power supply must be stable. If the power supply voltage drifts or jumps rapidly, it may cause abnormal sensitivity or false detection.
- 3) The medium covered on PCB shall not contain metal or conductive components, and the surface coating shall also meet the same requirements.
- 4) C1 capacitor (104 or more) must be used between Vdd and GND, and the shortest distance between Vdd and GND pins of IC should be adopted.
- 5)  $C_S$  capacitance can be used to adjust the sensitivity. The smaller the  $C_S$  capacitance is, the higher the sensitivity is. The sensitivity must be adjusted according to the practical PCB. The range of  $C_S$  capacitance is 1 ~ 50pF.
- 6) To adjust the sensitivity of the capacitor ( $C_S$ ), smaller temperature coefficient and more stable capacitor must be selected, such as X7R, NPO. For touch applications, it is recommended to select NPO capacitors to reduce the sensitivity due to temperature changes.

## 7. Electrical Characteristics

### 7.1 limit parameters of electrical characteristics

Table 2 limit parameters

| Parameters           | Lable            | Condition | Range                        | Unit |
|----------------------|------------------|-----------|------------------------------|------|
| Power supply voltage | V <sub>DD</sub>  | -         | -0 to +5.5                   | V    |
| Input voltage        | V <sub>I</sub>   | all I/O   | -0.3 to V <sub>DD</sub> +0.3 | V    |
| working temperature  | T <sub>A</sub>   | -         | -40~ +85                     | °C   |
| Storage temperature  | T <sub>STG</sub> | -         | -50~ +125                    | °C   |
| HBM                  | ESD              |           | 4                            | KV   |

### 7.2 DC characteristics

 Table 3 DC characteristics (Unless otherwise specified V<sub>DD</sub> = 2.4V~5.5V, Temp = 25°C)

| Parameter                    | Lable           | Condition                                     | Min                  | Typ | Max                  | Unit |
|------------------------------|-----------------|---|----------------------|-----|----------------------|------|
| Working voltage              | V <sub>DD</sub> |   | 2.4                  | 3   | 5.5                  | V    |
| Input high voltage threshold | V <sub>IH</sub> | V <sub>DD</sub> =5V,AHLB                      | 0.75*V <sub>DD</sub> |     | 1.0*V <sub>DD</sub>  | V    |
|                              |                 | V <sub>DD</sub> =5V,TOG                       | 0.4*V <sub>DD</sub>  |     | 1.0*V <sub>DD</sub>  |      |
| Input low voltage threshold  | V <sub>IL</sub> | V <sub>DD</sub> =5V,AHLB                      | 0                    |     | 0.25*V <sub>DD</sub> | V    |
|                              |                 | V <sub>DD</sub> =5V,TOG                       | 0                    |     | 0.15*V <sub>DD</sub> |      |
| Output current of Source     | I <sub>OH</sub> | V <sub>DD</sub> =3V, VOH=2.1V                 |                      | 2   |                      | mA   |
| Output current of Sink       | I <sub>OL</sub> | V <sub>DD</sub> =3V, VOL=0.9V                 |                      | 15  |                      | mA   |
| Pull down resistance         | R <sub>PL</sub> | V <sub>DD</sub> =3V, Fast mode                | 24                   | 30  | 36                   | Kohm |
| Output response time         | T <sub>R</sub>  | V <sub>DD</sub> =3V, Low power mode           |                      |     | 40                   | ms   |
|                              |                 | V <sub>DD</sub> =3V, Low power mode (no load) |                      |     | 200                  |      |
| Standby current              | I <sub>SB</sub> | V <sub>DD</sub> =3V, Fast mode (no load)      |                      | 2   | 2.5                  | uA   |
|                              |                 | V <sub>DD</sub> =3V, Fast mode                |                      | 20  | 25                   |      |

## 8. Package Outline

### 8.1 SOT23-6 Package

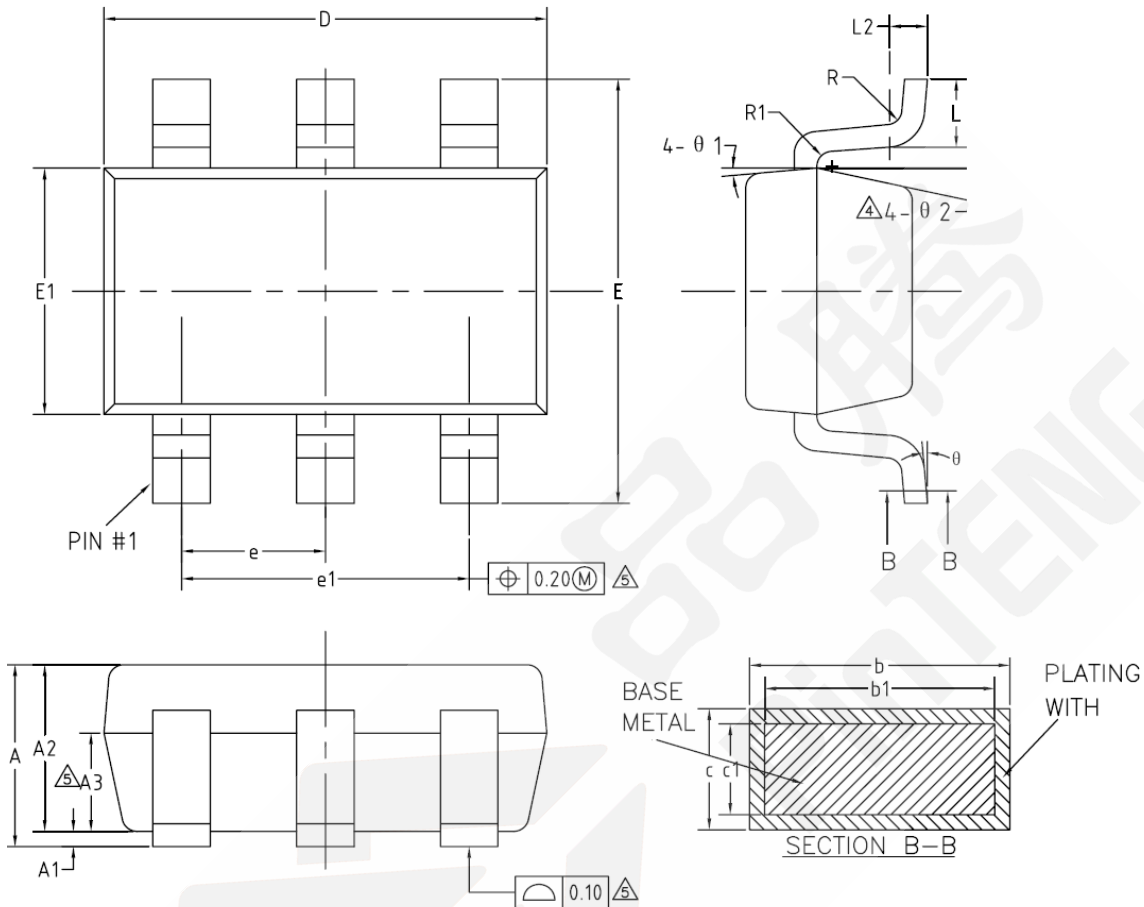


Figure 7 SOP23-6 Package

Table 4 SOP23-6 Package size

Unit: mm

| Symbol | Min   | Typ   | Max   | Symbol | Min     | Typ  | Max  |
|--------|-------|-------|-------|--------|---------|------|------|
| A      | -     | -     | 1.25  | e      | 0.90    | 0.95 | 1.00 |
| A1     | 0     | -     | 0.15  | e1     | 1.80    | 1.90 | 2.00 |
| A2     | 1.00  | 1.10  | 1.20  | L      | 0.35    | 0.45 | 0.60 |
| A3     | 0.60  | 0.65  | 0.70  | L1     | 0.59RET |      |      |
| B      | 0.36  | -     | 0.50  | L2     | 0.25BSC |      |      |
| b1     | 0.36  | 0.38  | 0.45  | R      | 0.10    | -    | -    |
| C      | 0.14  | -     | 0.20  | R1     | 0.10    | -    | 0.20 |
| c1     | 0.14  | 0.15  | 0.16  | θ      | 0       | -    | 8°   |
| D      | 2.826 | 2.926 | 3.026 | θ1     | 3°      | 5°   | 7°   |
| E      | 2.60  | 2.80  | 3.00  | θ2     | 6°      | -    | 14°  |
| E1     | 1.526 | 1.626 | 1.726 |        |         |      |      |



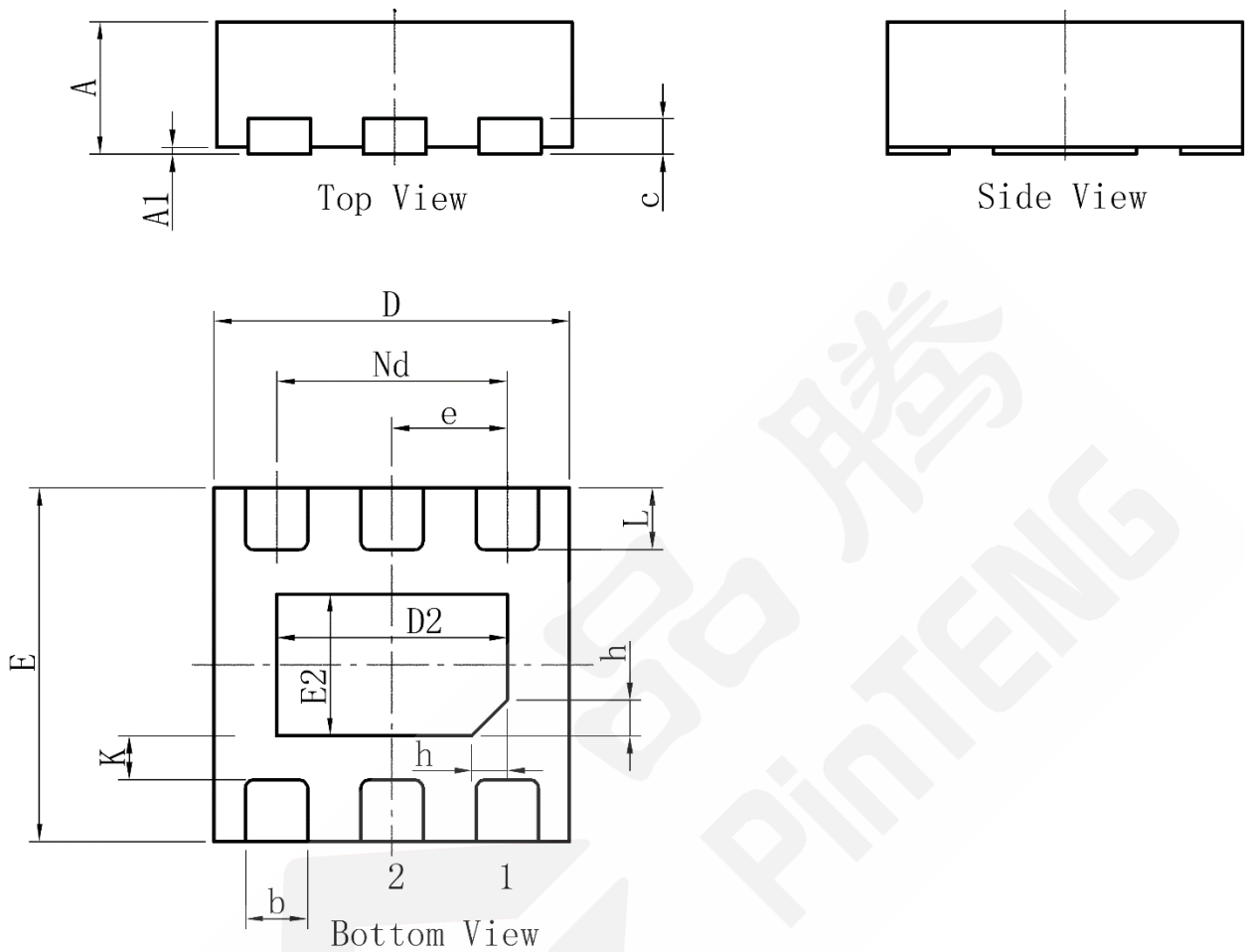
**8.2 DFN2x2-6L Package**


Figure 8 DFN2x2-6L Package

Table 5 DFN2x2-6L Package Size

|        |      |      |      | Unit: mm |          |      |      |
|--------|------|------|------|----------|----------|------|------|
| Symbol | Min  | Typ  | Max  | Symbol   | Min      | Typ  | Max  |
| A      | 0.70 | 0.75 | 0.80 | E2       | 0.75     | 0.80 | 0.85 |
| A1     | 0.00 | 0.02 | 0.05 | e        | 0.650BSC |      |      |
| b      | 0.30 | 0.35 | 0.40 | Nd       | 1.300BSC |      |      |
| c      | 0.18 | 0.20 | 0.25 | K        | 0.20     | -    | -    |
| D      | 1.95 | 2.00 | 2.05 | L        | 0.28     | 0.33 | 0.38 |
| D2     | 1.25 | 1.30 | 1.35 | h        | 0.15     | 0.20 | 0.25 |
| E      | 1.95 | 2.00 | 2.05 |          |          |      |      |

### 8.3 DFN2x2-6L Taping Information

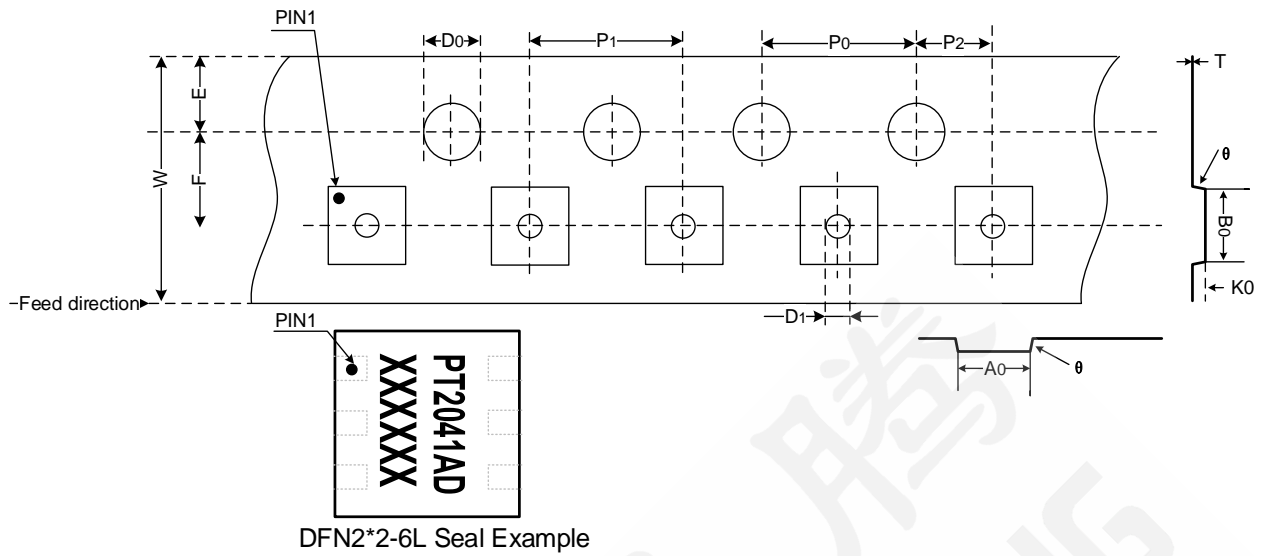


Figure 9 DFN2x2-6L Taping example

Table 6 DFN2x2-6L Taping Size

Unit: mm

| Symbol | Min  | Typ  | Max  | Symbol | Min  | Typ  | Max  |
|--------|------|------|------|--------|------|------|------|
| W      | 7.9  | 8.00 | 8.10 | D1     | -    | 1.00 | 1.10 |
| A0     | 2.15 | 2.25 | 2.35 | D0     | -    | 1.50 | 1.60 |
| B0     | 2.15 | 2.25 | 2.35 | P0     | 3.90 | 4.00 | 4.10 |
| K0     | 0.85 | 0.95 | 1.05 | P1     | 3.90 | 4.00 | 4.10 |
| E      | 1.65 | 1.75 | 1.85 | P2     | 1.90 | 2.00 | 2.10 |
| F      | 3.40 | 3.50 | 3.60 | T      | 0.20 | 0.22 | 0.24 |
|        |      |      |      | θ      |      | 10°  |      |

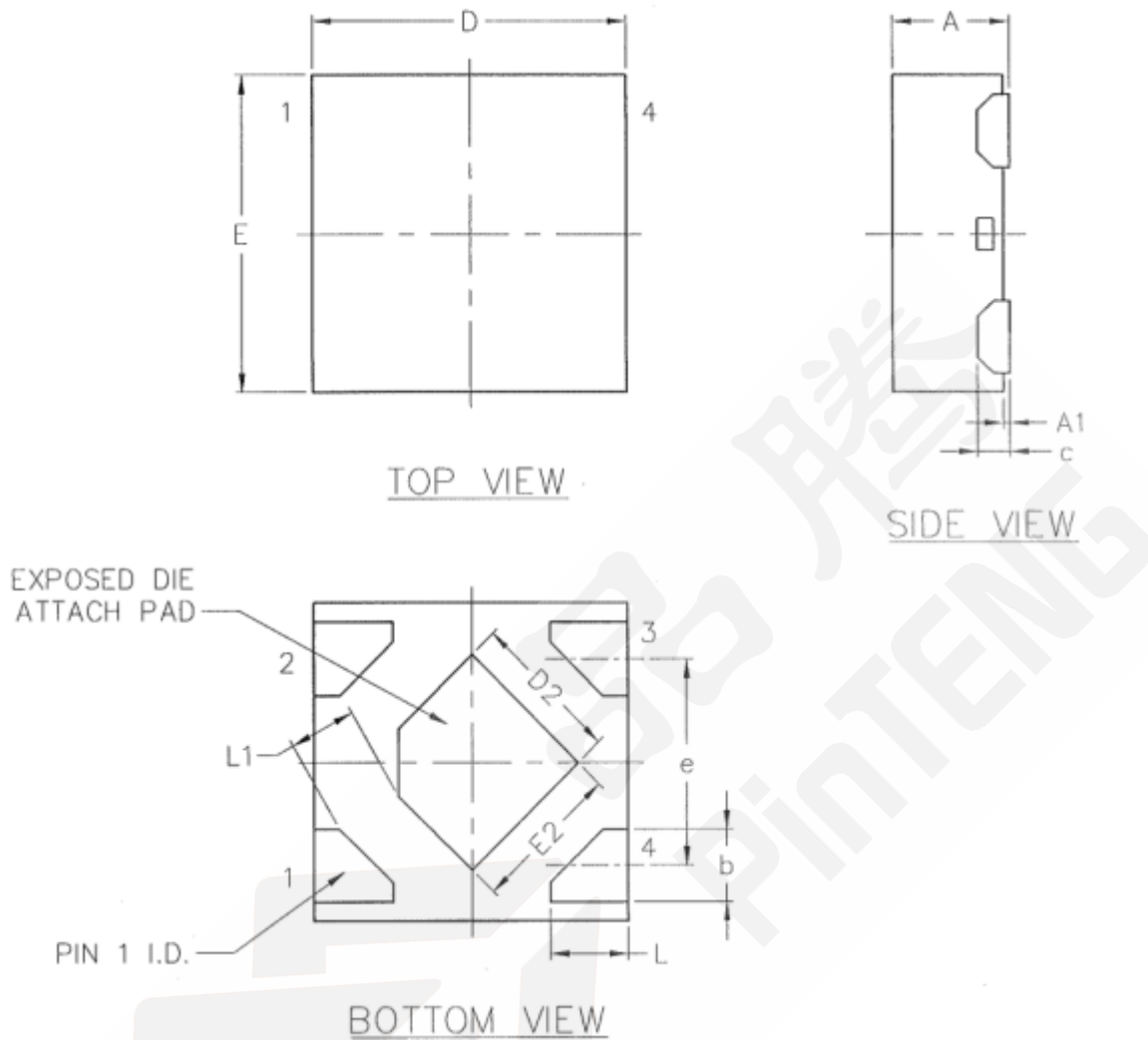
**8.4 DFN1x1-4L Package**


Figure 10 DFN1x1-4L Package

Table 7 DFN1x1-4L Package Size

Unit: mm

| Symbol | Min       | Typ  | Max  | Symbol | Min       | Typ  | Max  |
|--------|-----------|------|------|--------|-----------|------|------|
| A      | 0.32      | 0.37 | 0.40 | E2     | 0.43      | 0.48 | 0.53 |
| A1     | 0.00      | 0.02 | 0.05 | e      | 0.650 BSC |      |      |
| b      | 0.18      | 0.23 | 0.28 | L1     | 0.205 REF |      |      |
| c      | 0.102 REF |      |      | E      | 0.95      | 1.00 | 1.05 |
| D      | 0.95      | 1.00 | 1.05 | L      | 0.20      | 0.25 | 0.30 |
| D2     | 0.43      | 0.48 | 0.53 |        |           |      |      |
|        |           |      |      |        |           |      |      |

## 8.5 DFN1x1-4L Taping Information

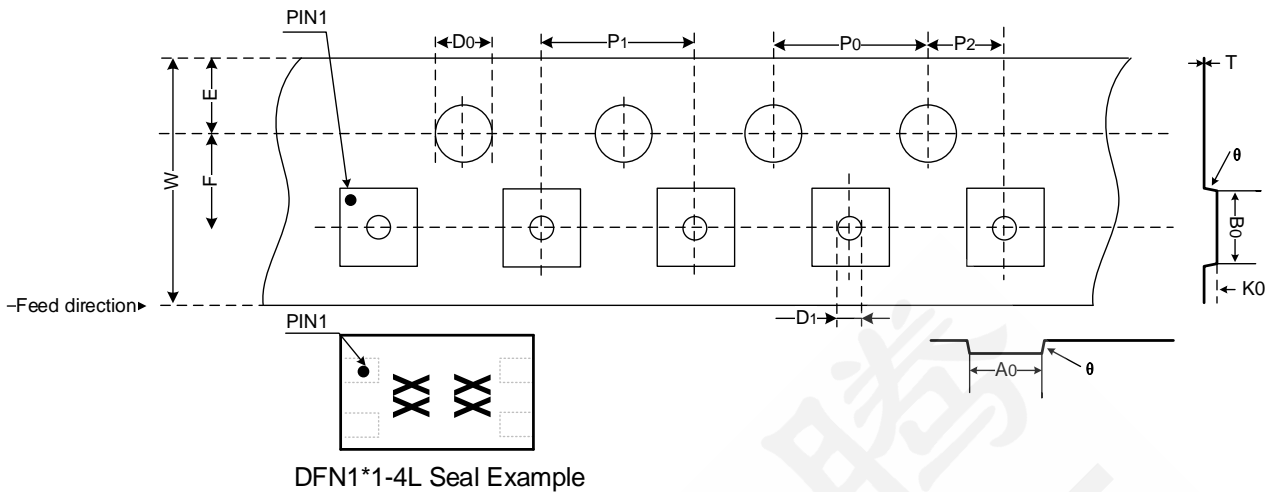


Figure 11 DFN1x1-4L Taping example

表 8 DFN1x1-4L Taping size

Unit: mm

| Symbol | Min  | Typ  | Max  | Symbol | Min  | Typ  | Max  |
|--------|------|------|------|--------|------|------|------|
| W      | 7.9  | 8.00 | 8.10 | D1     | -    | 0.7  | 0.8  |
| A0     | 1.15 | 1.25 | 1.35 | D0     | -    | 1.50 | 1.60 |
| B0     | 1.15 | 1.25 | 1.35 | P0     | 3.90 | 4.00 | 4.10 |
| K0     | 0.47 | 0.57 | 0.67 | P1     | 3.90 | 4.00 | 4.10 |
| E      | 1.65 | 1.75 | 1.85 | P2     | 1.90 | 2.00 | 2.10 |
| F      | 3.40 | 3.50 | 3.60 | T      | 0.18 | 0.23 | 0.28 |
|        |      |      |      | θ      |      | 6°   |      |

## 9. History

| Version | Modification record                  | Release Time |
|---------|--------------------------------------|--------------|
| V1.0    | Initial version                      | 2021-06-09   |
| V1.1    | Update DFN1*1-4L package description | 2021-09-23   |
| V1.2    | Update HBM ESD parameters            | 2022-05-30   |
| V1.3    | Add application considerations       | 2022-07-21   |
| V1.4    | Update Typical Application Circuits  | 2023-03-14   |

The latest version is subject to the official website. Please download and check in time!